

## INSTALLATION RECOMMENDATIONS FOR THERMAX™ WHITE FINISH INSULATION



Owners of agricultural buildings that house animals, produce or equipment know that controlling the indoor temperature and humidity is a smart way to protect their investment. Easy-to-install THERMAX™ White Finish Insulation offers thermal and moisture protection that can be used as an exposed interior finish and insulation on walls and roofs. THERMAX™ White Finish boards consist of a core of glass fiber-reinforced polyisocyanurate foam. The front has a durable nominal 1.25 mil embossed white acrylic-coated aluminum facer that can be pressure-washed, while the back side is faced with 1.25 mil smooth aluminum.

There are three methods that can be used to install THERMAX™ White Finish Insulation. Each system is outlined here.

### MATERIALS CHECKLIST

- Utility knife or small handsaw
- Straight edge
- Measuring tape
- Pencil
- Construction-grade sealant
- THERMAX™ White Foil Tape
- Squeegee or soft paint roller
- Hammer, pneumatic fastener or screwdriver
- PVC Clip Strips
- Fasteners and poly washers (such as QUIK Cap Washer-Plastic Round or Buildex Multi-Diameter Insulation Teks)
- Polyisocyanurate-compatible polyurethane spray sealant, such as GREAT STUFF PRO™ Gaps & Cracks Insulating Foam Sealant\*
- Safety glasses

### GENERAL INFORMATION

- THERMAX™ White Finish Insulation must be kept dry at all times. Protect it from moisture both in storage and during installation.
- With its tough, embossed white acrylic-coated surface, THERMAX™ White Finish Insulation can be pressure-washed at 800 psi (3' distance) using 15 degree spray tip.
- Install THERMAX™ White Finish Insulation with the white acrylic-coated side exposed.
- THERMAX™ White Finish board joints must be sealed with THERMAX™ White Foil Tape. Before applying tape, wipe the application area with a damp cloth to remove foam dust. Allow surface to air dry. Use a squeegee or soft paint roller to press the tape firmly to the joint. Cut tape with a knife or scissors. Do not tear tape. Taping serves as a protection against moisture penetration and gives the exterior of the boards a continuous surface.
- End-joint gaps greater than 1/8" should be filled with spray foam such as GREAT STUFF PRO™ Gaps & Cracks Insulating Foam Sealant or equivalent to keep a continuous air infiltration barrier and to help ensure maximum thermal efficiency across the board joints. To increase the moisture effectiveness of the board joints, apply THERMAX™ White Foil Tape over the sprayed board joints.

- There are two ways to cut THERMAX™ White Finish Insulation boards. One way is to use a straight edge and a utility knife, making sure to cut all the way through the facing. Or, THERMAX™ White Finish boards may be cut with a small handsaw.

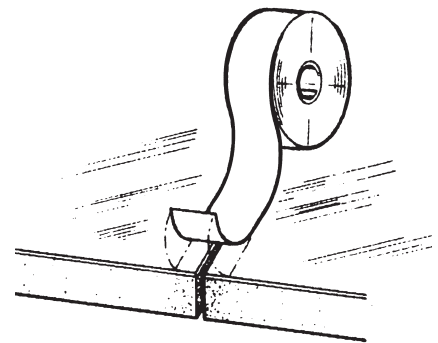
### SECUREMENT

Install a minimum 1" THERMAX™ White Finish Insulation board perpendicular to framing, spanning at least three framing members. Penetrate separate wood and metal framing 1" with a corrosion-resistant fastener and poly washer, such as QUIK Cap. When fastening to metal, Buildex Multi-Diameter Insulation Teks or equivalent (with minimum 1-1/4" poly washers) are advised.

### INSTALLATION GOOD SYSTEM

Leave square edge joints untreated. Tape the back side of the joint with THERMAX™ White Foil Tape (Figure 1).

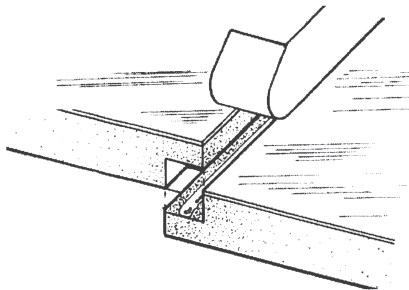
FIGURE 1



## BETTER SYSTEM

Use a compatible construction-grade sealant to join the factory-produced shiplapped joint as well as the end joints over roof or wall framing (Figure 2). Orient the shiplapped joint so that the exposed side has a shingle fashion joint with the uphill lap on top of the downhill lap. The shiplapped edge may leave an uneven joint on the exposed side. Taping the back side of the joint with THERMAX™ White Foil Tape will help protect against moisture penetration and provide a continuous surface.

FIGURE 2



## BEST SYSTEM

Apply a compatible construction-grade sealant to the PVC Clip Strip and install on exposed joint (Figure 3). Tape the back side of the joint with THERMAX™ White Foil Tape.

In roof systems where the temperature of the roof exceeds 150°F, it is recommended to use two layers of THERMAX™ White Finish Insulation to separate the Clip Strip from a roof system's exterior metal.

FIGURE 3

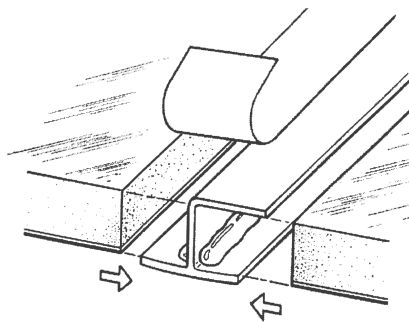
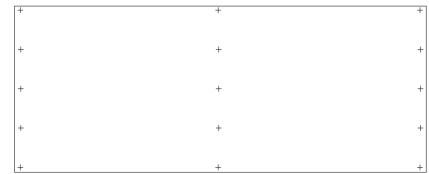


FIGURE 4

Fastening Pattern



Note: Space fasteners 12" o.c. for wood, metal or concrete attachment.

NOTICE: No freedom from any patent owned by Dow or others is to be inferred. Because use conditions and applicable laws may differ from one location to another and may change with time, Customer is responsible for determining whether products and the information in this document are appropriate for Customer's use and for ensuring that Customer's workplace and disposal practices are in compliance with applicable laws and other government enactments. The product shown in this literature may not be available for sale and/or available in all geographies where Dow is represented. The claims made may not have been approved for use in all countries or regions. Dow assumes no obligation or liability for the information in this document. References to "Dow" or the "Company" mean The Dow Chemical Company and its consolidated subsidiaries unless otherwise expressly noted. NO WARRANTIES ARE GIVEN; ALL IMPLIED WARRANTIES OF MERCHANTABILITY OR FITNESS FOR A PARTICULAR PURPOSE ARE EXPRESSLY EXCLUDED.

### Dow Polyisocyanurate Insulation

CAUTION: This product is combustible and shall only be used as specified by the local building code with respect to flame spread classification and to the use of a suitable thermal barrier. For more information, consult MSDS, call Dow at 1-866-583-BLUE (2583) or contact your local building inspector. In an emergency, call 1-989-636-4400.

**WARNING: Rigid foam insulation does not constitute a working walkable surface or qualify as a fall protection product.**

### Dow Polyurethane Foam Insulation and Sealants

CAUTION: These products are combustible and will burn if exposed to open flame or sparks from high-energy sources. Do not expose to temperatures above 240°F. For more information, consult MSDS, call Dow at 1-866-583-BLUE (2583) or contact your local building inspector. In an emergency, call 1-989-636-4400.

GREAT STUFF PRO™ Insulating Foam Sealants contain isocyanate and a flammable blowing agent. Read the label and Material Safety Data Sheet carefully before use. Eliminate all sources of ignition before use. Wear long sleeves, gloves, and goggles or safety glasses. Provide adequate ventilation or wear proper respiratory protection. Contents under pressure.

Building and/or construction practices unrelated to building materials could greatly affect moisture and the potential for mold formation. No material supplier including Dow can give assurance that mold will not develop in any specific system.

[www.insulateyourhome.com](http://www.insulateyourhome.com)

FOR TECHNICAL INFORMATION: 1-866-583-BLUE (2583)

FOR SALES INFORMATION: 1-800-232-2436

THE DOW CHEMICAL COMPANY

Dow Building Solutions • 200 Larkin • Midland, MI 48674

Printed in U.S.A.

Form No. 179-07774X-0510MCK

McKAY204565